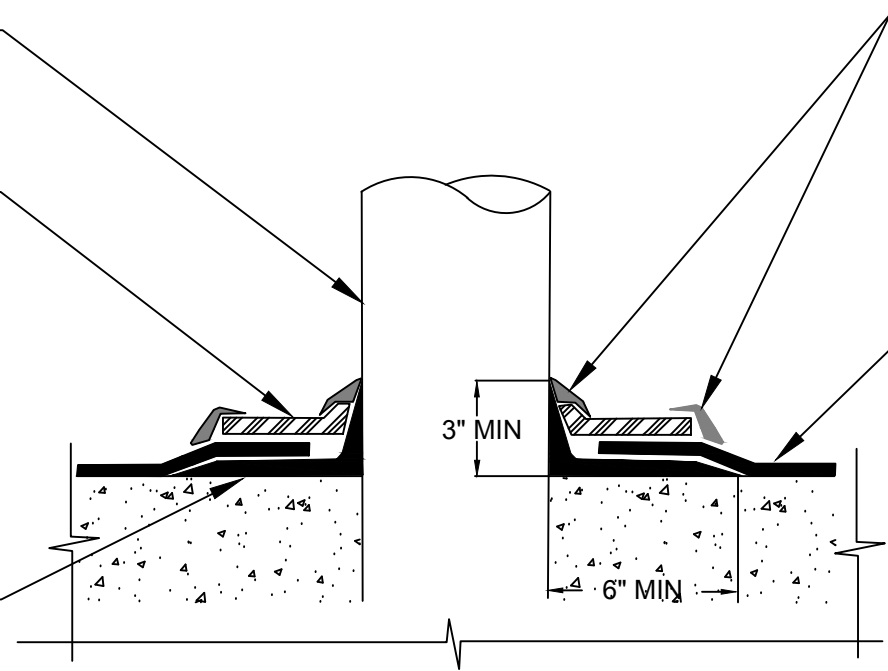


SECURED PENETRATION
MEMBER CLEAN AND ABRAID
3" OF THE BASE OF
PENETRATION SIDEWALLS

TARGET PATCH OF PRM
TO CREATE A TIGHT SEAL
AROUND PENETRATION

DETAIL SEALANT PW OR LM-95
LIQUID MEMBRANE APPLY 6" ON
TO RAW CONCRETE AND 3"
ONTO ABRAIDED PENETRATION



DETAIL SEALANT PW OR
LM-95 LIQUID MEMBRANE
APPLIED TO TERMINAL
EDGES OF TARGET PATCH

FIELD SHEET OF PRM ROUGH FIT
AROUND PENETRATION APPLIED TO
SUBSTRATE PREPARED WITH 650 LT
LIQUID ADHESIVE, CALIFORNIA
SEALANT OR SHUR-TAC ADHESIVE
APPLIED AT A RATE OF 250 TO 300
SQ FT. PER GALLON



SECTION@ HORIZONTAL PENETRATION WATERPROOFING

SPECIAL NOTE: IF ADHESIVE IS REQUIRED FOR SEAMS OR ENDLAPS DO NOT USE SHUR-TAC LIQUID ADHESIVE

© POLYGUARD PRODUCTS, INC.
MATERIALS SEPARATED FOR CLARITY

Polyguard Products, Inc.
P.O. Box 755 - Ennis, TX 75119
Phone: 214-515-5000 Fax: 972-875-9425
Web Site - www.polyguard.com

The information provided is based on data and knowledge considered to be true and accurate and is offered for the users' consideration, investigation and verification, but we do not warrant the results to be obtained. Please read all data sheets, statements, recommendations or suggestions in conjunction with our conditions of sale, which apply to all goods supplied by us.	NOT TO SCALE
	EFFECTIVE DATE: 11/26/14
	SUPERCEDES: