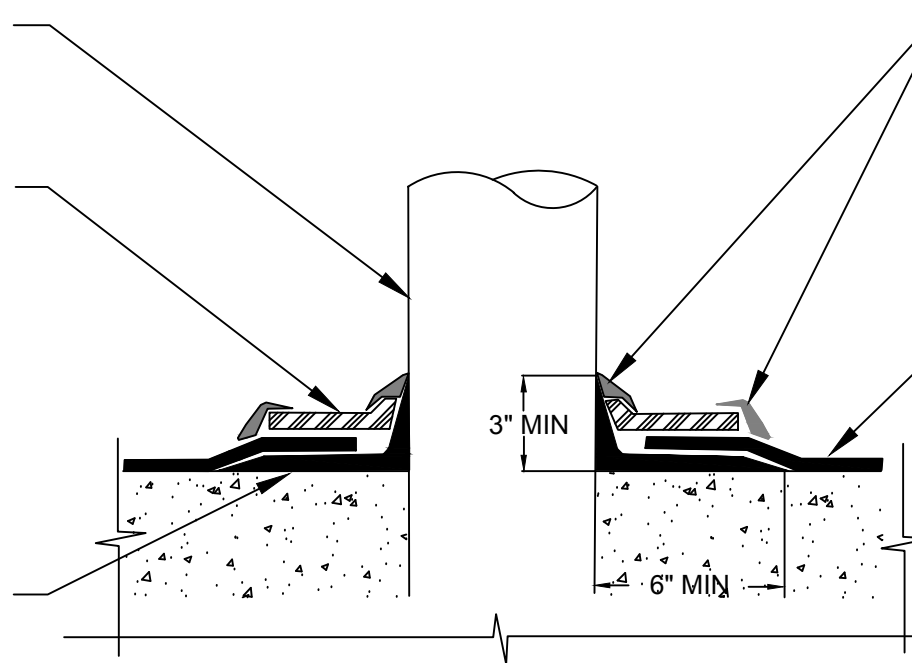


SECURED PENETRATION MEMBER
CLEAN AND ABRAID 3" OF THE
BASE OF PENETRATION
SIDEWALLS. APPLY 650 LT LIQUID
ADHESIVE OR CALIFORNIA
SEALANT TO SIDEWALLS AT A
RATE OF 250 - 300 SQ. FT PER
GALLON

TARGET PATCH OF 650
MEMBRANE TO CREATE A TIGHT
SEAL AROUND PENETRATION

DETAIL SEALANT PW OR LM-95
APPLY 6" ON TO RAW CONCRETE
AND 3" ONTO ABRAIDED AND
PRIMED PENETRATION



DETAIL SEALANT PW OR LM-95
APPLIED TO TERMINAL EDGES
OF TARGET PATCH

FIELD SHEET OF 650 MEMBRANE
ROUGH FIT AROUND
PENETRATION APPLIED TO
SUBSTRATE PREPARED WITH
650 LT LIQUID ADHESIVE,
CALIFORNIA SEALANT OR
SHURTAC ADHESIVE APPLIED
AT A RATE OF 250 TO 300 SQ FT.
PER GALLON AND OVER TOP OF
DETAIL SEALANT PW OR LM-95



SECTION@ HORIZONTAL PENETRATION WATERPROOFING

**SPECIAL NOTE: IF ADHESIVE IS REQUIRED FOR
SEAMS OR ENDLAPS DO NOT USE SHURTAC
LIQUID ADHESIVE**

© POLYGUARD PRODUCTS, INC.
MATERIALS SEPARATED FOR CLARITY

The information provided is based on data and knowledge considered to be true and accurate and is offered for the users' consideration, investigation and verification, but we do not warrant the results to be obtained. Please read all data sheets, statements, recommendations or suggestions in conjunction with our conditions of sale, which apply to all goods supplied by us.	NOT TO SCALE
	EFFECTIVE DATE: 07/17/14
	SUPERCEDES: 05/15/14