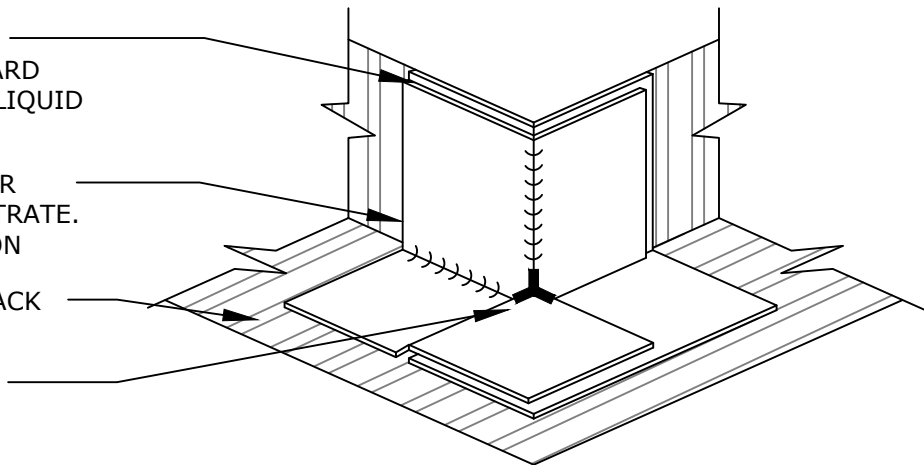


STEP 1: INSTALL THE FLASHING PIECE #1 TO SUBSTRATE PREPARED WITH POLYGUARD 650 LT LIQUID ADHESIVE, SHUR-TAC LIQUID ADHESIVE, OR CALIFORNIA SEALANT

STEP 2: INSTALL THE FLASHING PIECE #2 OVER PIECE #1 AND ONTO PREPARED SUBSTRATE. ROLL ALL SEAMS TO ENSURE ADHESION

STEP 3: MAKE SURE THE FLASHING IS HELD BACK FROM THE EXTERIOR FINISH 1/2"

STEP 4: APPLY 90 MILS POLYGUARD DETAIL SEALANT PW TO THE CORNER SEAM



WS40-3

## ISOMETRIC @ FLASHING - OUTSIDE CORNER (FIELD CUT)

© POLYGUARD PRODUCTS, INC.

SOME MATERIALS SEPARATED FOR CLARITY

Polyguard Products, Inc.  
P.O. Box 755 - Ennis, TX 75120  
Phone: 214-515-5000 Fax: 972-875-9425  
Web Site - [www.polyguard.com](http://www.polyguard.com)

<p>The information provided is based on data and knowledge considered to be true and accurate and is offered for the users' consideration, investigation and verification, but we do not warrant the results to be obtained. Please read all data sheets, statements, recommendations or suggestions in conjunction with our conditions of sale, which apply to all goods supplied by us.</p>	NOT TO SCALE
	EFFECTIVE DATE: 12-22-2016
	SUPERCEDES: 02-24-2016